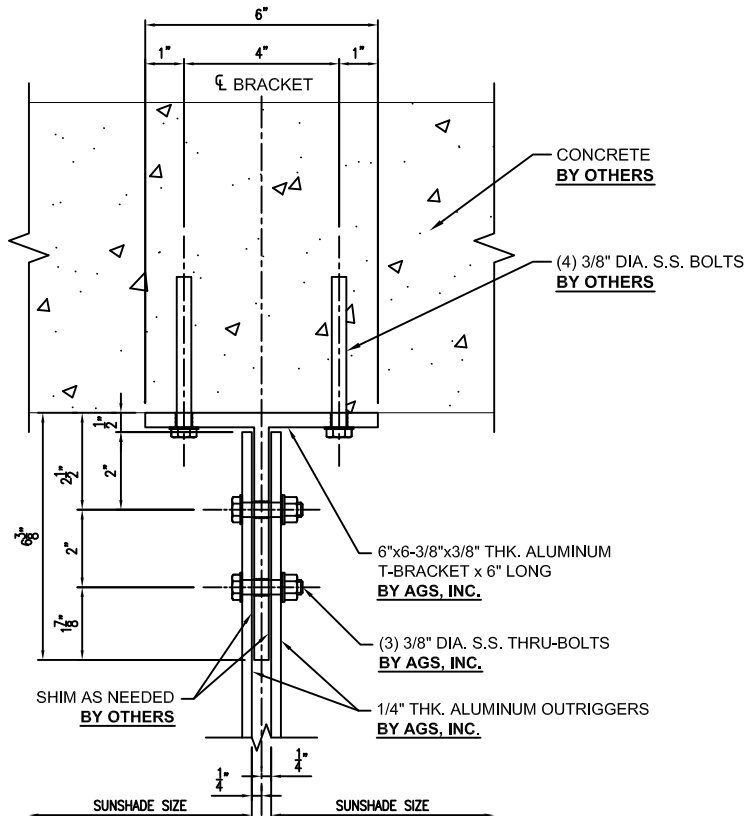


01 END CONNECTION DETAIL AT CONCRETE



02 INTERMEDIATE CONNECTION DETAIL AT CONCRETE