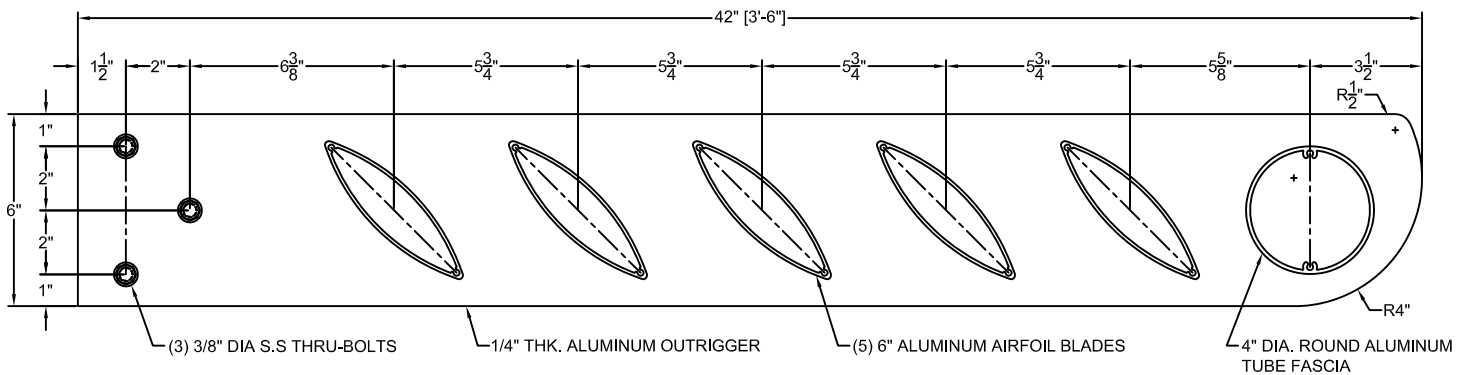
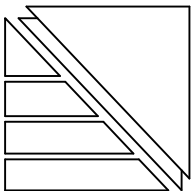


**Ireland Series "LIMERICK - 30"**



**Ireland Series "LIMERICK - 42"**

STANDARD SIZES/DIMENSIONS SHOWN FOR DESIGN PURPOSES. ADDITIONAL CHANGES TO SIZE CAN BE MADE AS NEEDED.



**AGS, Inc.**

Architectural Grilles & Sunshades, Inc.

9950 W. 190th St.

Mokena, IL 60448

Ph: (708) 479-9458 Fax: (708) 479-9478

[www.agsshade.com](http://www.agsshade.com)